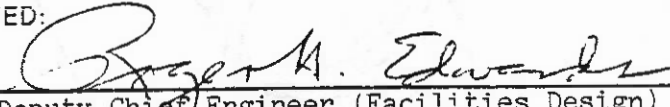


TO: Director, Preliminary Plan Review Bureau SUPERSEDED BY EI 81-040 EFFECTIVE 12/17/1981	<h2 style="text-align: center;">ENGINEERING INSTRUCTION</h2> <p style="text-align: center;">NEW YORK STATE DEPARTMENT OF TRANSPORTATION</p> SUBJECT: END SECTION CONNECTOR STRAPS Subject Code: 7.27-2-603-3
Distribution: <input checked="" type="checkbox"/> Main Office <input checked="" type="checkbox"/> Regions <input type="checkbox"/> Special	Code: <u>78-2</u> Date: <u>January 4, 1978</u>
APPROVED:  Deputy Chief Engineer (Facilities Design)	Supersedes:

The attached detail for end section connector straps may be used as an equal alternate to the connector shown on Standard Sheet 603-3 for pipes of 12" thru 24" diameter and equivalent size pipe arches.

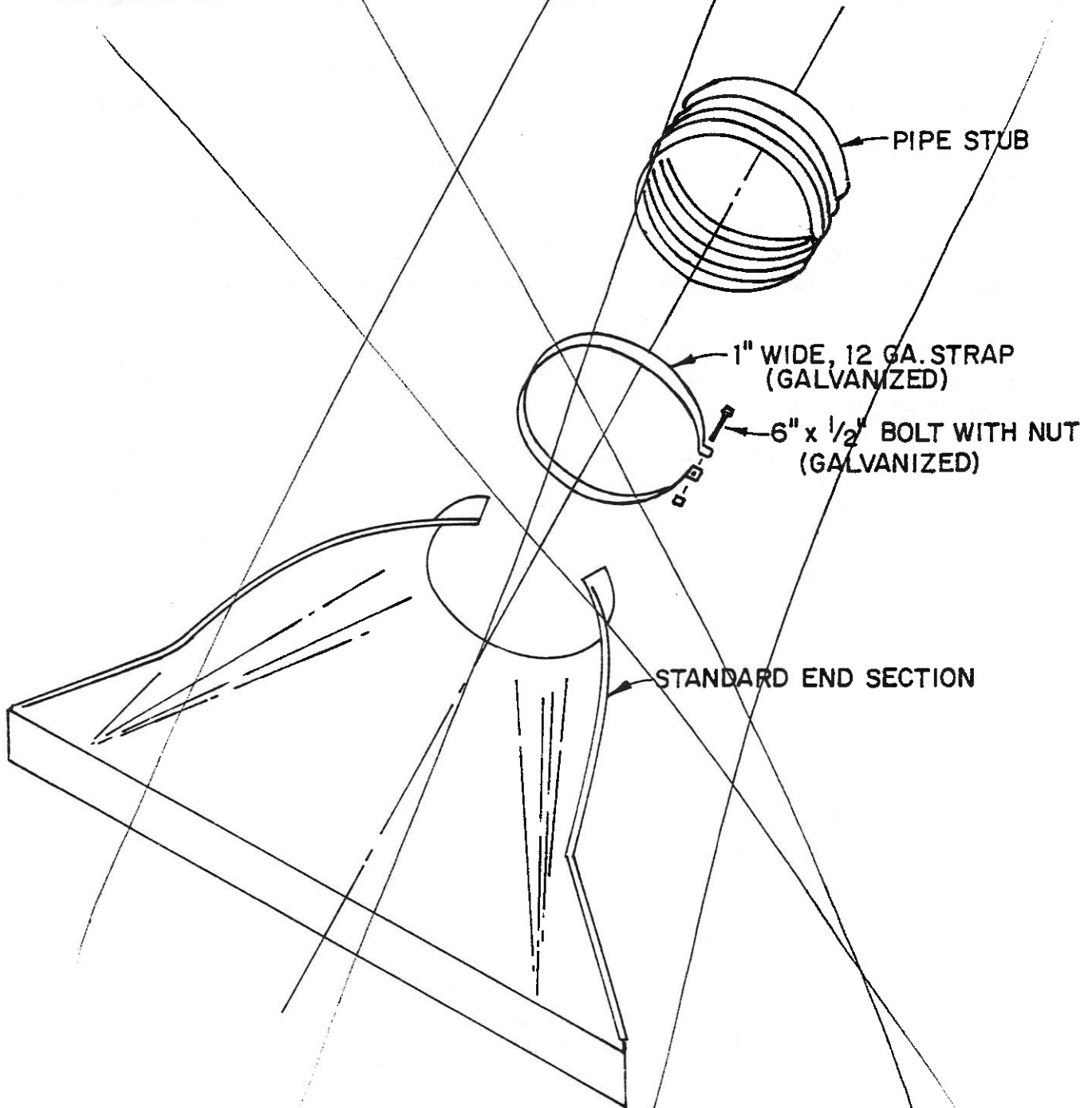
This strap is sheared from a galvanized sheet, therefore, the edges of the strap and the interior edges of the bolt holes will be bare steel. This 12 gauge strap will be protected from corrosion of the edges by the close proximity of the galvanized surfaces as well as the galvanized surface of the fastener.

The Main Office will insert this detail into every proposal requiring it.

RHE:WEH:RS

PREL.	FINAL
DISCARD	
JAN 11 1978	

CORRUGATED METAL PIPE ALTERNATE END SECTION STRAP
FOR 12" THRU 24" DIAMETER ROUND CORRUGATED
STEEL PIPE AND EQUIVALENT SIZE PIPE ARCHES



THIS 12 GA. STRAP MAY BE USED AS AN ALTERNATE TO
THE CONNECTOR SHOWN ON STANDARD SHEET 603-3.