


<p>TO:</p> <p>MAIN OFFICE</p> <p>REGIONAL OFFICES</p> <p>SUPERSEDED BY EI 74-061</p> <p>EFFECTIVE 7/1/1974</p>	 <p>ENGINEERING INSTRUCTION</p> <p>NEW YORK STATE DEPARTMENT OF TRANSPORTATION</p>
<p>Distribution:</p> <p><input checked="" type="checkbox"/> Main Office <input checked="" type="checkbox"/> Regions <input type="checkbox"/> Special</p>	<p>Code: <u>EI 73-47</u></p> <p>Date: <u>7/2/73</u></p> <p>Supersedes: BR 410</p> <p>Dated Oct. 1965</p>
<p>APPROVED:</p> <p><i>[Signature]</i></p> <p>Ass't. Deputy Chief Engineer (Structures)</p>	

Effective immediately, revised Sheet BR 410, dated June 1973, will supersede Sheet BR 410, dated Oct. 1965.

The principal changes on this sheet are:

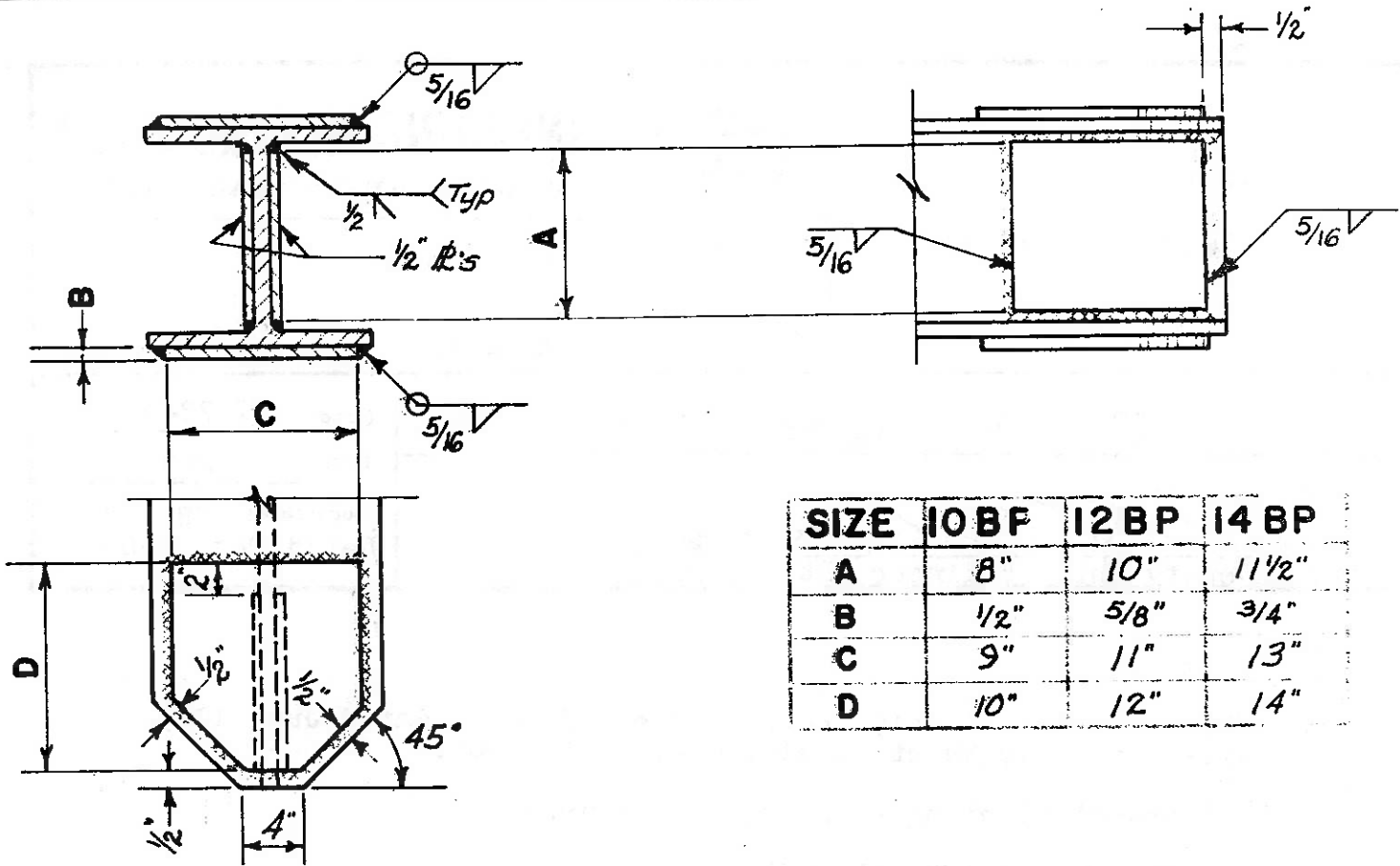
REINFORCED BEARING PILE TIP

1. "Fill with weld metal" was changed to a weld symbol.

STEEL SPLICE FOR BEARING PILE

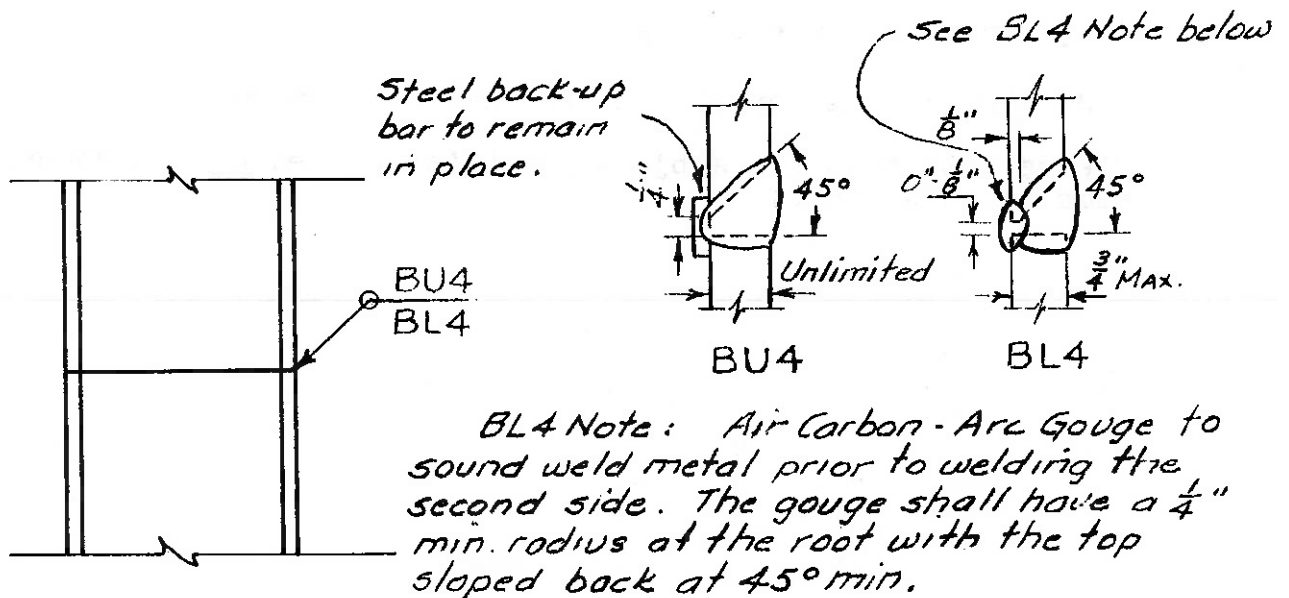
1. "Groove Weld" was changed to BU4 or BL4.
2. The detail for BU4 and BL4 has been added.

Please note that the subject sheet is printed on the reverse side of this sheet.



REINFORCED BEARING PILE TIP

Scale: 1" = 1'-0"



STEEL SPLICE FOR BEARING PILE

Scale: 1" = 1'-0"

July 1973

BR 410